

MOUNTING INSTRUCTIONS



1D - LIFTING SYSTEMS | **TBP BREAKABLE FIXING PIN**

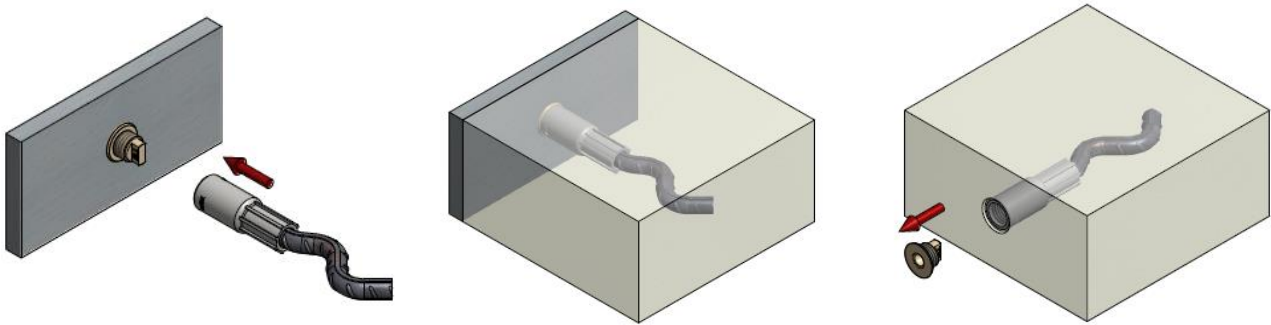


BREAKABLE FIXING PIN – TBP

The breakable fixing pin is used for affixing the anchors or the lifting sockets to the formwork. The breakable fixing pin TBP is made of plastic nylon or polyamide 6.

Working method:

- Insert the breakable fixing pin TBP into the formwork
- Screw the anchor or the fixing insert onto the fixing pin TBP
- Pour concrete
- Remove the formwork; the fixing pin will break off in the formwork
- Remove the remaining part of the fixing pin just before using the thread of the anchor



CONTACT



TERWA is the global supplier for precast and construction solutions with multiple offices around the world. With all our staff, partners and agents, we are happy to provide all construction and precast companies who work in the building industry with full service and 100% support.

TERWA CONSTRUCTION GROUP

Terwa Construction Netherlands (HQ)

Global Sales & Distribution
 Kamerlingh Onneslaan 1-3
 3401 MZ IJsselstein
 The Netherlands
T +31-(0)30 699 13 29
F +31-(0)30 220 10 77
E info@terwa.com

Terwa Construction Central East Europe

Sales & Distribution
 Strada Sânzieni
 507075 Ghimbav
 Romania
T +40 372 611 576
E info@terwa.com

Terwa Construction Poland

Sales & Distribution
 Ul. Cicha 5 lok. 4
 00-353 Warszawa
 Poland
E info@terwa.com

Terwa Construction India & Middle East

Sales & Distribution
 India
T +91 89 687 000 41
E info@terwa.com

Terwa Construction China

Sales & distribution
 5F 504, No. 101 Chuanchang road
 PRC, 200032, Shanghai
 China
E info@terwa.com

ALL SPECIFICATIONS CAN BE CHANGED WITHOUT PREVIOUS NOTICE.

DISCLAIMER

Terwa B.V. is not liable for deviations due to wear of the products it has delivered. Neither is Terwa B.V. liable for damage due to inaccurate and/or improper handling and use of the products it has delivered and/or use of same for purposes other than those intended.

Terwa B.V.'s responsibility is furthermore limited in accordance with article 13 of the "Metaalunie" conditions, which are applicable for all Terwa B.V. deliveries. The user is responsible for ensuring compliance with all applicable copyright laws. Without limiting the rights under copyright, no part of this documentation may be reproduced, stored in or introduced into a retrieval system, or transmitted in any form or by any means (electronic, mechanical, photocopying, recording, or otherwise), or for any purpose, without the express written permission of Terwa B.V.